



Metal Roof

Coatings



Seamless Metal Roof Coating Solutions

There are many advantages to using a metal roof system. Fire resistance, durability, energy efficiency and the ability to keep structures cooler are just some of their benefits over other roofing systems. But metal roofs are expensive to replace. Neogard's Elasta-Gard M coating systems provide high performance, seamless, lightweight and sustainable solutions that can protect, preserve and extend the life of your existing metal roof.

Performance Properties & Benefits

Seamless & Fully Adhered

- One-piece "customized" finished roof
- No seams to fail
- No weak spots
- Leak protection
- Reduces cost of installation & exposure to weather

Sustainable

- Systems can be renewed rather than replaced
- Less waste in landfills
- No hazardous waste disposal costs
- Reduces roofing life cycle cost

Energy Efficient

- Reflects light and emits heat
- Keeps your building cooler
- Lower energy expense

Elastomeric

- Accommodates thermal expansion and contraction

Lightweight

- Installed over existing roof with minimal tear-off

Hail & Wind Resistant

- Performs in adverse weather conditions

Environmentally Friendly

- Low odor
- Meets environmental requirements

LEED Credits

LEED promotes a whole-building approach to sustainability by recognizing performance in seven key areas of human and environmental health.

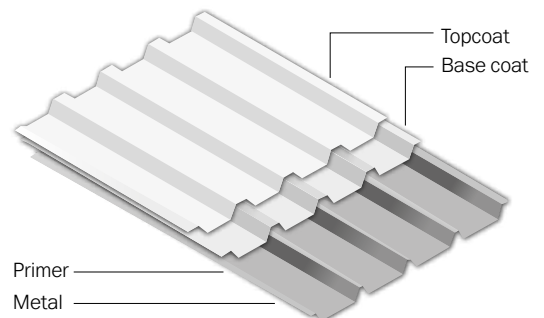
Credits Available for NEOGARD Systems:

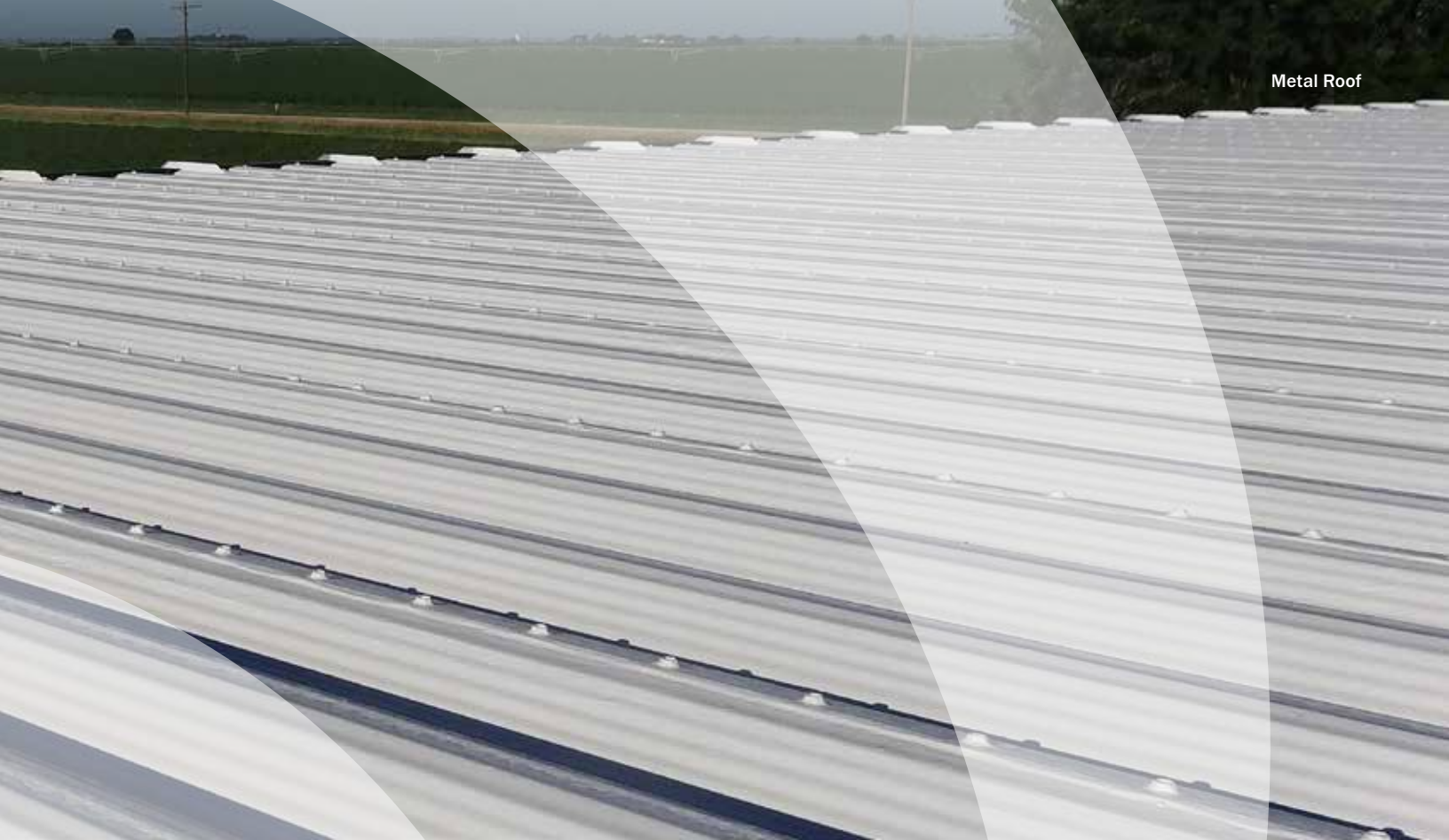


Sourcing of Raw Materials (MRc6.1)

Low-Emitting Materials (EQc5.2)

Typical Application





Before Coating

Like the example above, a good candidate for a metal roof coating will have minimal to no rust and only slight areas of ponding or staining. Light surface rust is easy to clean while thick scaly rust will generally require spot replacement of panels. The tipping point between using a coating and installing a new roof is the amount of damage to the metal panels.



After Coating

With proper maintenance a roof can be restored with a coating and should not have to be replaced. Panels can almost always be cleaned or replaced instead of completely reskinning the structure; allowing an owner to realize the full benefits of a coating and the cost savings associated with coatings over full-replacement costs.



Elasta-Gard M Aliphatic

This seamless single-component roof coating offers greater UV stability and includes a high-tensile top coat that can lead to stronger performance. A single component provides easier application while the greater tensile strength provides better weather resistance. It is ideal for application on existing metal roofs along coastal areas and up to 150 miles inland.



Neogard, A part of Hempel, manufactures high-performance coatings specified and used for structures across the globe for over 60 years. Neogard's coating systems protect the building envelope through vehicular and pedestrian traffic coatings, protective roof coatings, seamless flooring and elastomeric wall coatings.

You can find Neogard coatings in Major Stadiums and Arenas, Office Buildings, Universities, Hospitals, Hotels and Casinos, Airports and Hangers, Government Facilities, Manufacturing Plants and more.

About Hempel

As a world-leading supplier of trusted coating solutions, Hempel is a global company with strong values, working with customers in the protective, marine, decorative, container and yacht industries. Hempel factories, R&D centers and stock points are established in every region. Across the globe, Hempel's coatings protect surfaces, structures and equipment. They extend asset lifetimes, reduce maintenance costs and make homes and workplaces safer and more colorful. Hempel was founded in Copenhagen, Denmark in 1915. It is proudly owned by the Hempel Foundation, which ensures a solid economic base for the Hempel Group and supports cultural, social, humanitarian and scientific purposes around the world.

Hempel (USA) Inc
2728 Empire Central
Dallas, TX 75235
Tel: +1 (214) 353-1600
Fax: +1 (214) 353-1766

neogard.com

US_V1_FEB_20